



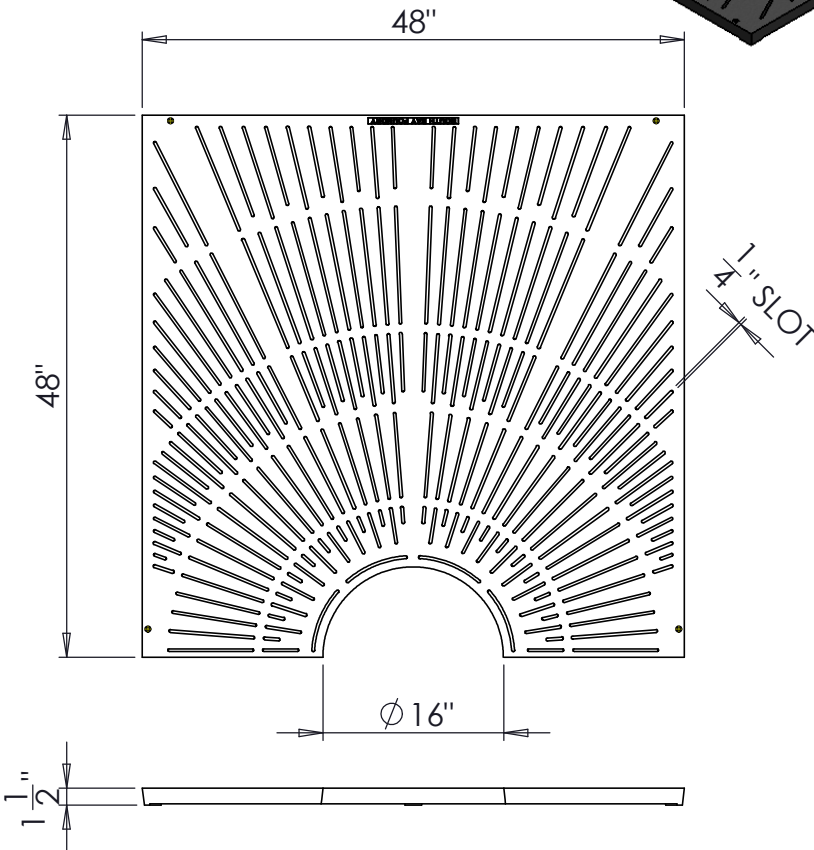
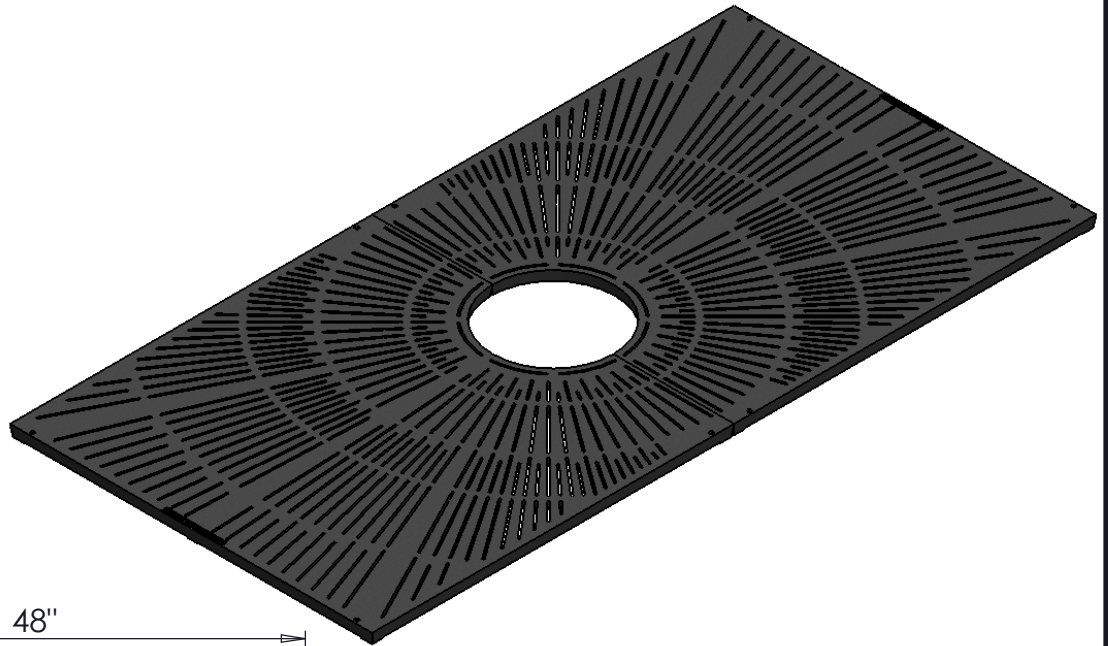
South Bay Foundry

WWW.SOUTHBAYFOUNDRY.COM

PHONE: (619) 956-2780 FAX: (619) 956-2788

D224896-1.5SQ

48"x96" STBM STYLE TREE GRATE



WEIGHT	
PER SET	754 LB

GENERAL INFORMATION

- *MATERIAL: CAST IRON, DUCTILE IRON, OR ALUMINUM
- *FINISHES AVAILABLE: BARE, PAINTED, POWDER COATED, OR SHARK GRIP
- *APPROXIMATE TREE OPENING: $\phi 16"$ $\phi 18"$, OR $\phi 27"$

APPROVED

BY:

TITLE:

AGENCY:

DATE:

6/3/2013